

# Lab Brick® LSW Series Switch



- SPDT and SP4T models available
- 10 Watt power handling capability
- USB powered and controlled
- Includes easy to install and use GUI
- Manual, Internal and External switch control capability
- Operate multiple devices directly from a PC or self powered USB hub
- Easily programmable for ATE applications
- Robust aluminum construction

The Lab Brick Switch product family offers reliable, high isolation and low cost solid state switch products in both single pole double throw and single pole four throw configurations. These units require connection to a USB port for control and power. No additional DC supply voltage is required. Lab Brick Switches are easily controlled and programmed directly from the included GUI or through the external control inputs. Lab Brick Switch API dll and LabVIEW compatible drivers are also available for custom programming applications.

### Applications include:

- Automated Test Equipment (ATE)
- WiMAX, 3G, LTE test platforms
- Engineering/Production Test Labs

### Electrical

### LSW Series

<b>Operating Frequency, 50 Ohm</b>	0.01 to 6 GHz
LSW-602PDT	Single pole, 2 throw, terminated
LSW-602P4T	Single pole, 4 throw, terminated
<b>Operating Frequency, 75 Ohm</b>	0.01 to 1 GHz
LSW-102PDT-75F	Single pole, 2 throw, terminated
LSW-102P4T-75F	Single pole, 4 throw, terminated
<b>Insertion Loss</b>	0.01 to 2 GHz: 1.5 dB typ. 2.5 dB max. 2 to 3 GHz: 2.5 dB typ. 3.5 dB max. 3 to 4 GHz: 3.5 dB typ. 4.5 dB max. 4 to 5 GHz: 4.0 dB typ. 5.5 dB max. 5 to 6 GHz: 4.5 dB typ. 6.0 dB max.
<b>Isolation SPDT</b>	65 dB typ. 55 dB min.
<b>Isolation SP4T</b>	60 dB typ. 50 dB min.
<b>Return Loss (all ports)</b>	20 dB typ. 10 dB min
<b>Input Power (for 0.1 dB Compression)</b>	0.01 to 3 GHz: 42 dBm typ. 3 to 4 GHz: 41 dBm typ. 4 to 6 GHz: 40 dBm typ.
<b>Input 3rd Order Intercept</b>	+60 dBm typ.
<b>Max Input Power<sup>3</sup> (all ports terminated)</b>	+40 dBm
<b>Switching Speed</b>	300 nS max.
<b>Control (Internal)</b>	GUI, API
<b>Control (External)</b>	TTL signal
<b>Control Logic SPDT</b>	VctlA =1 RFC to RF1 VctlA =0 RFC to RF2
<b>Control Logic SP4T</b>	VctlA =1, VctlB=1 RFC to RF1 VctlA =1, VctlB=0 RFC to RF2 VctlA =0, VctlB=1 RFC to RF3 VctlA =0, VctlB=0 RFC to RF4
<b>DC Power</b>	5V/40 mA via USB
<b>GUI Compatibility</b>	Windows™ 7, 8, XP, 2000

### Mechanical

<b>Dimensions</b>	3.86" x 2.52" x 1.35" (98 mm x 64 mm x 34 mm)
<b>Weight</b>	< 0.5 lbs (0.23 Kg)
<b>RF Connectors 50 Ohm</b>	SMA-F
<b>RF Connectors 75 Ohm</b>	Type F-F
<b>External Control Connectors</b>	BNC-F
<b>USB Cable</b>	USB 2.0 A/B

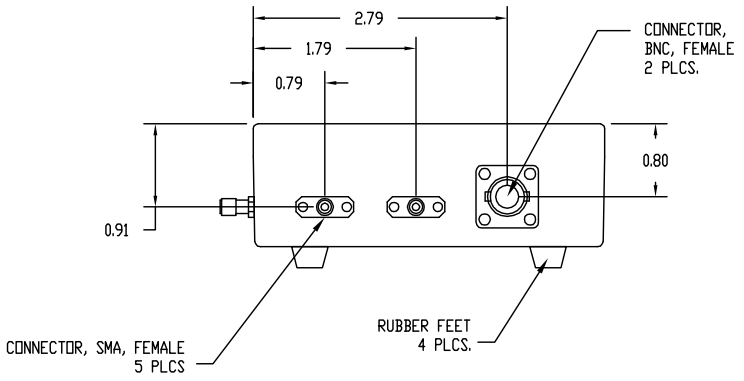
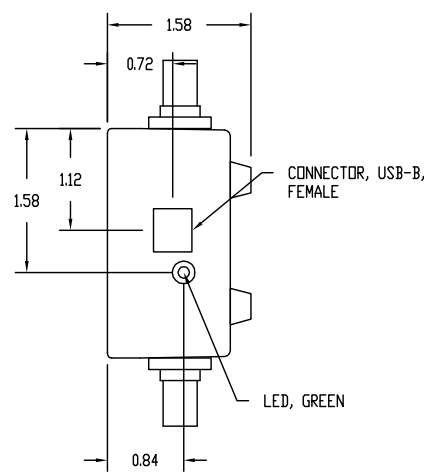
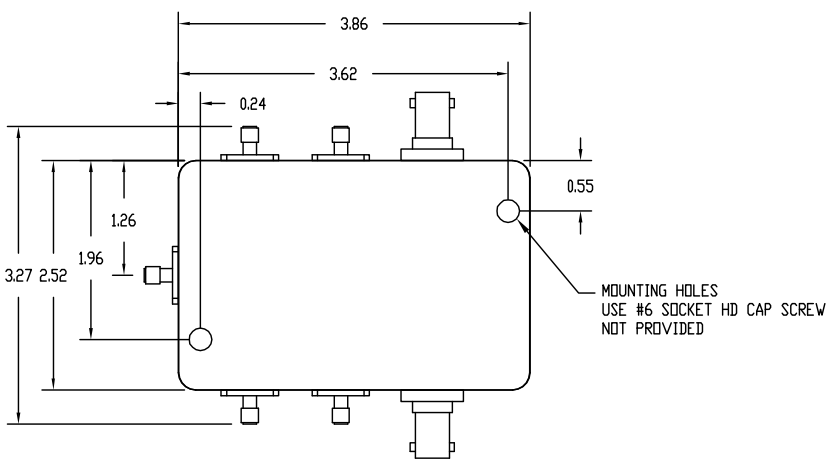
### Notes

1. These specifications are subject to change without notice.
2. Customized models are available tailored to specific performance requirements.
3. All RF ports must be properly terminated for operation above +30 dBm or damage may occur.
4. The GUI software and 6' USB cable are included with the purchase of each Lab Brick Switch.

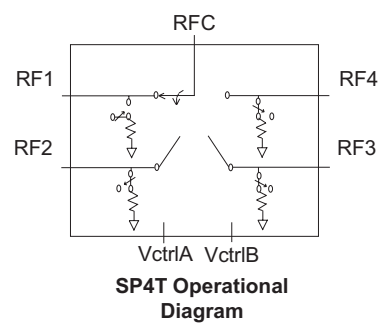
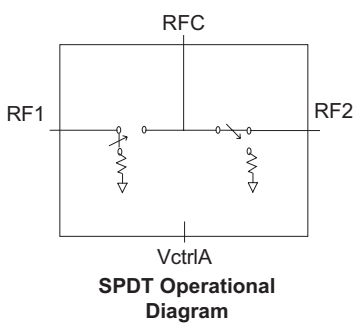


Vaunix Technology Corporation  
7 New Pasture Road, Newburyport, MA 01950  
978-662-7839 | www.Vaunix.com

# Lab Brick® LSW Series Switch



NOTE:  
1. DIMENSIONS ARE NOMINAL



See performance graphs online at [www.vaunix.com](http://www.vaunix.com)



Vaunix Technology Corporation  
7 New Pasture Road, Newburyport, MA 01950  
978-662-7839 | [www.Vaunix.com](http://www.Vaunix.com)

